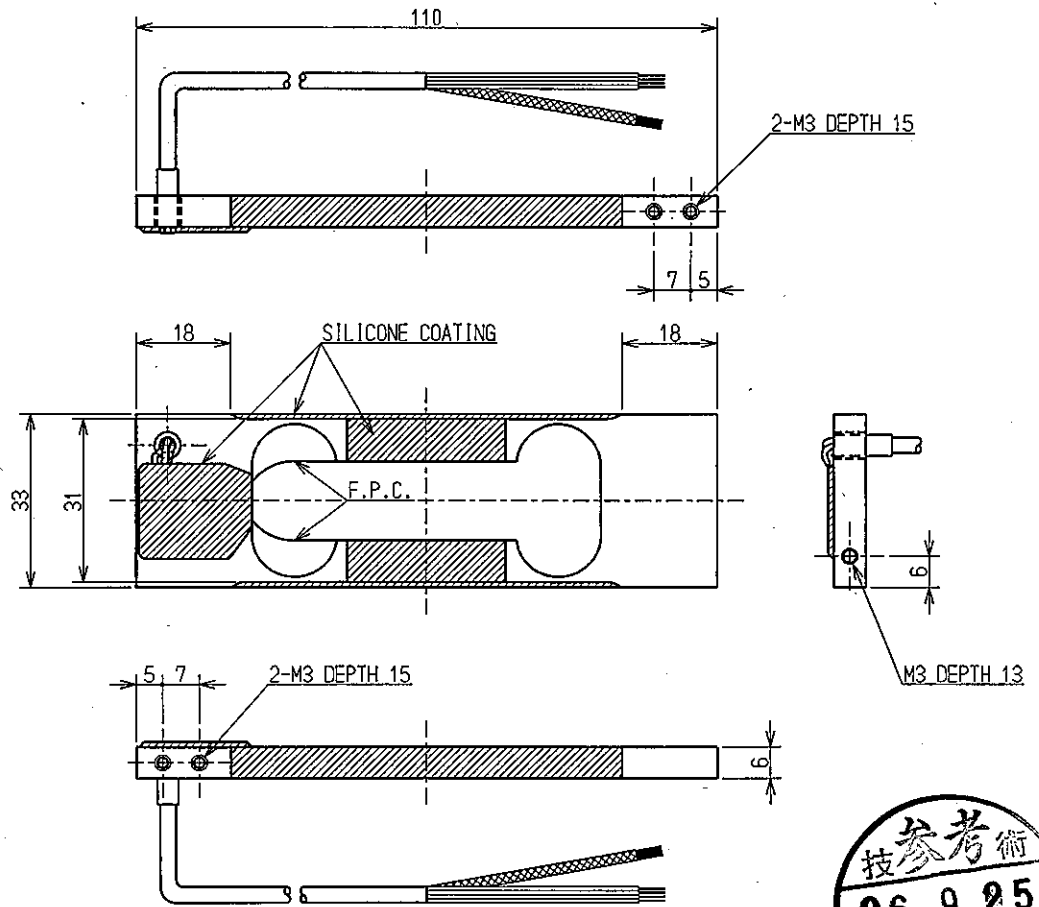
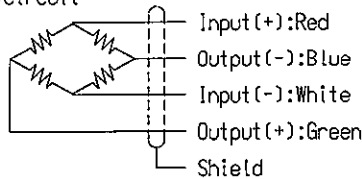


LOADCELL TYPE BCL-300GM~4.5K-A  
SPECIFICATIONS

- PERFORMANCE
  - Rated capacity(R.C.) : 2.942 N { 300 gf }, 5.884 N { 600 gf },  
11.77 N { 1.2 kgf }, 14.71 N { 1.5 kgf },  
29.42 N { 3 kgf }, 44.13 N { 4.5 kgf }
  - Safe overload : 150 %R.C.
  - Ultimate overload : 200 %R.C.
  - Rated output(R.O.) : 1.6 mV/V±0.2 mV/V
  - Non-linearity : 0.02 %R.O.
  - Hysteresis : 0.02 %R.O.
  - Repeatability : 0.02 %R.O.
  - Creep : 0.02 %R.O./20min
  - Creep recovery : 0.02 %R.O./20min
- ELECTRICAL
  - Recommended excitation : 10 V or less
  - Maximum excitation : 15 V
  - Zero balance : ±0.04 mV/V
  - Input terminal resistance : 420 Ω±5 Ω
  - Output terminal resistance : 350 Ω±5 Ω
  - Insulation resistance (bridge-body) : 2000 MΩ or more(DC50 V)
- TEMPERATURE
  - Compensated temperature range : -10 ℃ to 50 ℃
  - Safe temperature range : -10 ℃ to 50 ℃
  - Temperature effect on zero balance : 0.04 %R.O./10℃
  - Temperature effect on output : 0.02 %LOAD/10℃
- INFLUENCE OF ECCENTRIC LOAD
  - Max size of the loading plate : 200 mm×200 mm(300GM TO 600GM)  
300 mm×300 mm(1.2K TO 4.5K)
  - The center of loading plate : Be sure to adjust of loading plate to the center of load cell.
  - Measuring accuracy : Accuracy within 0.02 %R.O. with 1/2 of rated load applied at 50 mm from center.(300GM TO 600GM)  
75 mm from center.(1.2K TO 4.5K)
- THE OTHERS
  - Cable : φ3.2 4core shield 40 cm
  - IP level : IP40
  - Material of element : ALUMINIUM ALLOY
  - Weight : approx 40 g
- Circuit



公布
K
S
T
F

ミネベア株式会社 MINEBEA CO.,LTD. 計測機器事業部					単位 UNIT mm 尺規 SCALE FREE		材質 MATERIAL 表面粗さ SURF.ROUGH.	作成日 DATE 2006.8.21 品名 DESCRIPTION OUTLINE	
APPROVED	CHECKED	DRAWN	公差 TOL	公差	公差	公差	熱処理 HEAT/TREAT.	品番 PART NO.(MODEL NO.) BCL-300GM~4.5K-A	葉番 SHEET
行号 MARK	日付 DATE	変更事項 REASON	ECN NO.	担当 ENGINEER	承認 APPROVED	公差 TOL	表面処理 FINISH	図番 DRAWING NO. KT52299-2	改訂 REV.
						寸法 L 公差 4<L≤16 ±0.1 16<L≤63 ±0.3 63<L≤250 ±0.5 250<L≤1000 ±0.8 角度 DEG ±0.5			